

BXRH

High Temperature Stationary Bellows, Complies with API 682. This new design will provide optimal performance under conditions ranging from -100° F (-73° C) to 800° F (427° C). The bellows element remains static, securely bolted to the flange, resulting in the elimination of centrifugal forces and related mechanical stresses. Typical seal problems caused by an out-of-square seal chamber are minimized, resulting in extended seal life.

Features/Benefits

- Standard Alloy 718 Bellows-standardizes inventory on one material.
- Patented Distortion Free Face Design-face flatness maintained throughout operating ranges.
- Two Piece Design-ease of installation.
- Static Graphite Gasketing-leakage reduction due to elimination of dynamic gasket wear.
- Standard Anti-coke Device-helps keep atmospheric side clean.
- Bellows Material Alloy 718-complies with API 682, 610 and NACE MR-01-75 requirements.
- API 682 performance tested.

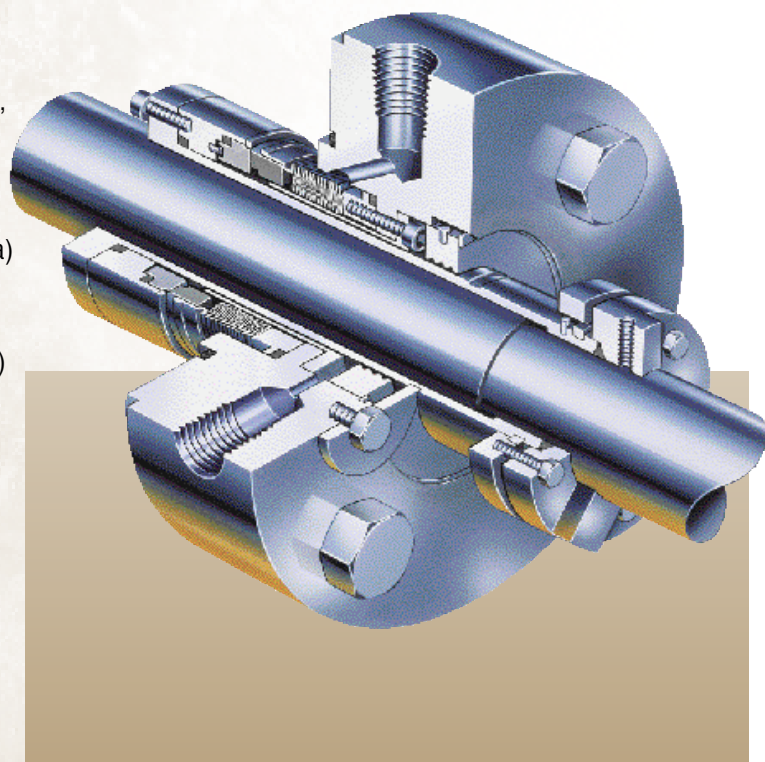
Materials of Construction

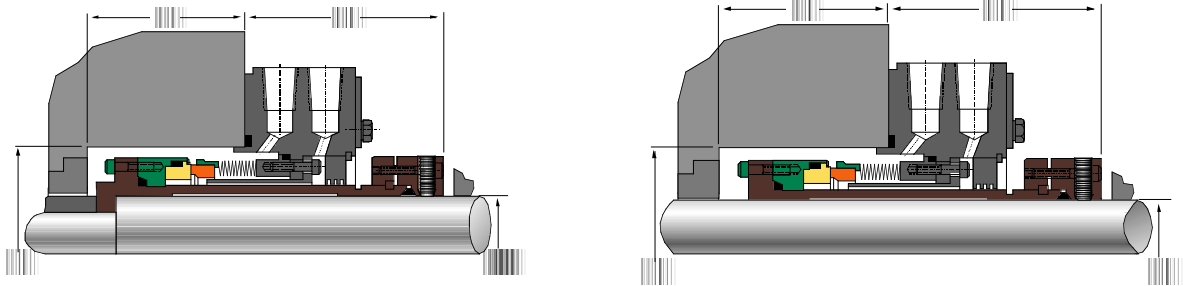
- Bellows: Alloy 718
- Rotating Face: Silicon Carbide
- Stationary Face: Carbon or Silicon Carbide
- Gasketing: Graphite
- Metal Parts: Rotating Assembly: 316 SS
 Stationary Assembly: Alloy 718,
 Low Expansion Alloy, 316 SS

Operating Parameters

- Maximum Pressure: Up to 300 psi (2070 kPa)
- Seal Chamber Temperature: *
 -100° F to 800° F (-73° C to 427° C)
- Surface Speed: Up to 150 ft./sec. (46 m/sec.)
- Liquids: Hydrocarbons, Heat Transfer Fluids, Cryogenics
- Shaft Sizes: From 1 inch (25.4mm) to 5-1/8 inches (101.6mm)

* Depending on materials selected.





Dimensional Data

Seal Size	Inches					
	A	D	D-1	F	G	H
1250	2.438	0.857	1.017	2.656	3.281	1.875
1375	2.563	0.982	1.142	2.656	3.281	1.875
1500	2.688	1.107	1.267	2.594	3.313	1.906
1625	2.875	1.232	1.392	2.750	3.313	1.906
1750	3.000	1.357	1.517	2.687	3.406	2.000
1875	3.125	1.482	1.642	2.687	3.406	2.000
2000	3.250	1.607	1.767	2.719	3.406	2.000
2125	3.375	1.732	1.892	2.719	3.406	2.000
2250	3.500	1.857	2.017	2.719	3.406	2.000
2375	3.625	1.982	2.142	2.812	3.406	2.000
2500	3.750	2.107	2.267	2.812	3.406	2.000
2625	3.875	2.232	2.392	2.750	3.594	2.063
2750	4.063	2.357	2.517	2.719	3.594	2.063
2875	4.188	2.482	2.642	2.719	3.594	2.063
3000	4.375	2.607	2.767	2.781	3.594	2.063
3125	4.500	2.732	2.892	2.781	3.594	2.063
3250	4.625	2.857	3.017	2.781	3.594	2.063
3375	4.750	2.982	3.142	2.781	3.594	2.063
3500	4.875	3.107	3.267	2.781	3.594	2.063
3625	5.000	3.232	3.392	2.781	3.656	2.125
3750	5.125	3.357	3.517	2.781	3.656	2.125
3875	5.250	3.482	3.642	2.781	3.656	2.125
4000	5.375	3.607	3.767	2.781	3.656	2.125
4375	5.812	3.982	4.142	2.656	3.719	2.188
4875	6.438	4.482	4.642	2.625	3.750	2.219
5375	6.812	4.982	5.142	2.625	3.750	2.219

Seal Size	Metric (mm)					
	A	D	D-1	F	G	H
1250	61.9	21.8	25.8	67.5	83.3	47.6
1375	65.1	24.9	29.0	67.5	83.3	47.6
1500	68.3	28.1	32.2	65.9	84.1	48.4
1625	73.0	31.3	35.4	69.9	84.1	48.4
1750	76.2	34.5	38.5	68.3	86.5	50.8
1875	79.4	37.6	41.7	68.3	86.5	50.8
2000	82.5	40.8	44.9	69.1	86.5	50.8
2125	85.7	44.0	48.1	69.1	86.5	50.8
2250	88.9	47.2	51.2	69.1	86.5	50.8
2375	92.1	50.3	54.4	71.4	86.5	50.8
2500	95.2	53.5	57.6	71.4	86.5	50.8
2625	98.4	56.7	60.8	69.8	91.3	52.4
2750	103.2	59.9	63.9	69.1	91.3	52.4
2875	106.4	63.0	67.1	69.1	91.3	52.4
3000	111.1	66.2	70.3	70.6	91.3	52.4
3125	114.3	69.4	73.5	70.6	91.3	52.4
3250	117.5	72.6	76.6	70.6	91.3	52.4
3375	120.6	75.7	79.8	70.6	91.3	52.4
3500	123.8	78.9	83.0	70.6	91.3	52.4
3625	127.0	82.1	86.2	69.0	92.9	54.0
3750	130.2	85.3	89.3	69.0	92.9	54.0
3875	133.3	88.4	92.5	69.0	92.9	54.0
4000	136.5	91.6	95.7	69.0	92.9	54.0
4375	147.6	101.1	105.2	67.5	94.5	55.6
4875	163.5	113.8	117.9	66.7	95.3	56.4
5375	173.0	126.5	130.6	66.7	95.3	56.4

Note: For additional sizes and conditions not listed, contact your local Flowserve Representative.

The information and specifications presented in this product brochure are believed to be accurate, but are supplied for information purposes only and should not be considered certified or as a guarantee of satisfactory results by reliance thereon. Nothing contained herein is to be construed as a warranty or guarantee, express or implied, with respect to the product. Although Flowserve Corporation can provide general application guidelines, it cannot provide specific information for all possible applications. The purchaser/user must therefore assume the ultimate responsibility for the proper selection, installation, operation and maintenance of Flowserve products. Because Flowserve Corporation is continually improving and upgrading its product design, the specifications, dimensions and information contained herein are subject to change without notice.

MAJOR EUROPE, MIDDLE EAST & AFRICA CONTACTS

AUSTRIA Sieghartskirchen Phone (43) 2274-6991	BELGIUM Antwerpen Phone (32) 3-5460450	DENMARK Allerød Phone (45) 48 176500	FRANCE Courtaboeuf Phone (33) 1-69592400	GERMANY Dortmund Phone (49) 231-6964-0	ITALY Cormano (Milano) Phone (39) 02-61558.1	KINGDOM OF SAUDI ARABIA Al Khobar Phone (966) 3-857-3150
THE NETHERLANDS Roosendaal Phone (31) 165-581400	POLAND Warszawa Phone (48) 22-844-7108	RUSSIA Moscow Phone (7) 095-777 717	SPAIN Tarragona Phone (34) 977-544400	SWITZERLAND Oensingen Phone (41) 62-3883088	UNITED ARAB EMIRATES Abu Dhabi Phone (971) 2-317141	UNITED KINGDOM Manchester Phone (44) 161-8691200

WORLDWIDE HEADQUARTERS

UNITED STATES OF AMERICA 222 West Las Colinas Blvd, Suite 1500 Irving, TX 75039 Dallas Phone (1) 972-443-6500.

www.flowserve.com