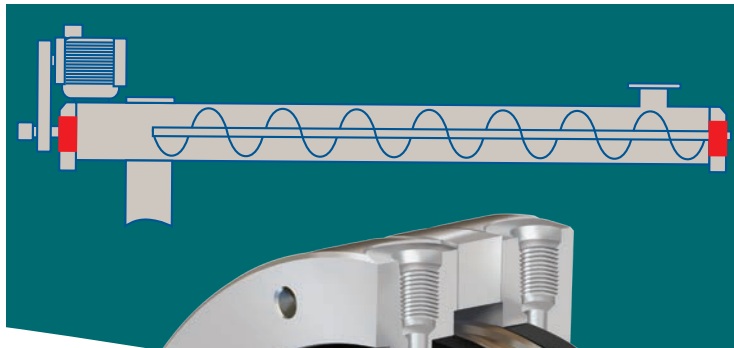


# BulkTite™

## powder and bulk solids seal

*Designed for rotating equipment handling powder and bulk solids, BulkTite™ seals are ideal for chemical, power, food processing, pharmaceutical and general industries.*

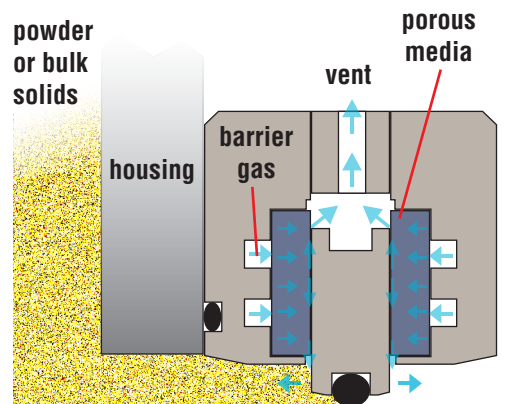
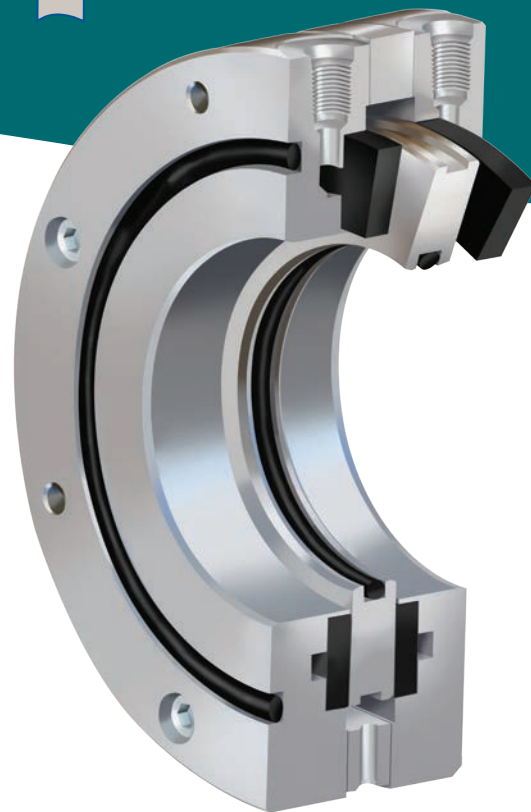


### **Reliability from advanced technology**

Leveraging proven air bearing technology, BulkTite seals provide improved sealing performance by eliminating the shortcomings of conventional seals such as packing, lip seals and bushings. With non-wearing, non-damaging and low maintenance features, BulkTite seals economically extend the continuous operation of rotating equipment such as screw conveyors, rotary airlocks, mixers, clinker grinders, and de-lumpers.

### **Features and benefits**

- Porous air bearing technology improves seal life through non-wearing / non-contact sealing
- Prolongs seal life compared to traditional sealing methods through:
  - Floating rotor allows 3.2 mm (0.125 inch) radial shaft movement without contact or binding
  - Durable drive O-ring absorbs shaft thermal expansion while minimizing seal axial loading
  - Unique rotor design accommodates up to 2° angular misalignment as standard for reduced heat generation and seal wear
- Proprietary porous media minimizes air consumption and reduces operating cost
- Reduces installation and maintenance time through flexible adapters for easy mounting and installation



### Materials of Construction

<b>Metal Components</b>	316 Stainless Steel
<b>Gaskets</b>	Fluoroelastomer
<b>Porous Media</b>	Carbon

### Equipment Parameters

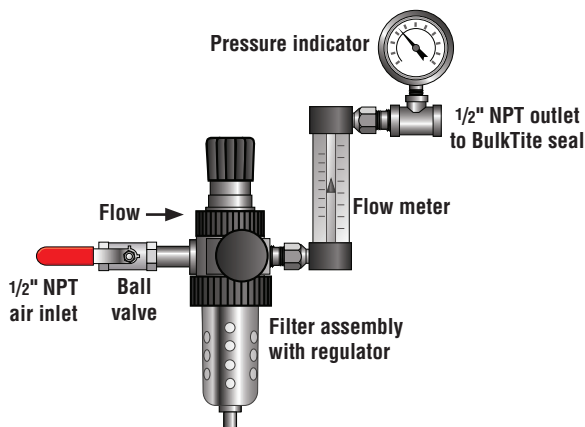
<b>Shaft Diameter</b>	16 - 150 mm (0.625 - 6.000 inches)
<b>Maximum Radial Run-out</b>	3.1 mm (0.125 inches)
<b>Maximum Angular Misalignment</b>	2 degrees

### Available Designs

- Standard design fits popular equipment
- Custom engineered solutions to meet specific application requirements, consult your Flowserve representative for more information

### Recommended gas supply support system

For more information reference BM# B02989647



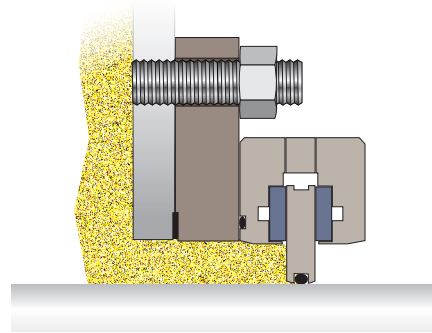
FSD267eng REV 01-17 Printed in USA

**To find your local Flowserve representative**  
and find out more about Flowserve Corporation visit  
[www.flowserve.com](http://www.flowserve.com)

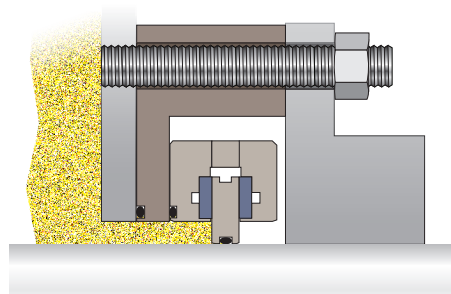
Flowserve Corporation has established industry leadership in the design and manufacture of its products. When properly selected, this Flowserve product is designed to perform its intended function safely during its useful life. However, the purchaser or user of Flowserve products should be aware that Flowserve products might be used in numerous applications under a wide variety of industrial service conditions. Although Flowserve can provide general guidelines, it cannot provide specific data and warnings for all possible applications. The purchaser/user must therefore assume the ultimate responsibility for the proper sizing and selection, installation, operation, and maintenance of Flowserve products. The purchaser/user should read and understand the Installation Instructions included with the product, and train its employees and contractors in the safe use of Flowserve products in connection with the specific application.

While the information and specifications contained in this literature are believed to be accurate, they are supplied for informative purposes only and should not be considered certified or as a guarantee of satisfactory results by reliance thereon. Nothing contained herein is to be construed as a warranty or guarantee, express or implied, regarding any matter with respect to this product. Because Flowserve is continually improving and upgrading its product design, the specifications, dimensions and information contained herein are subject to change without notice. Should any question arise concerning these provisions, the purchaser/user should contact Flowserve Corporation at any one of its worldwide operations or offices.

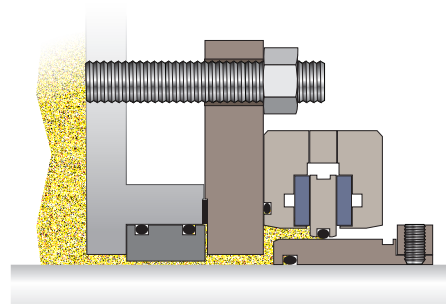
## Mounting options



**Standard installation with flanged adapter plate**



**Standard installation with flanged bearing**



**Stuffing box retrofit with optional bushing and shaft sleeve**

#### USA and Canada

Kalamazoo, Michigan USA  
Telephone: 1 269 381 2650  
Telefax: 1 269 382 8726

#### Europe, Middle East, Africa

Roosendaal, The Netherlands  
Telephone: 31 165 581400  
Telefax: 31 165 554590

#### Asia Pacific

Singapore  
Telephone: 65 6544 6800  
Telefax: 65 6214 0541

#### Latin America

Mexico City  
Telephone: 52 55 5567 7170  
Telefax: 52 55 5567 4224